

THIS DRAWING IS UNPUBLISHED.

RELEASED FOR PUBLICATION

2008

© COPYRIGHT 2008 BY -

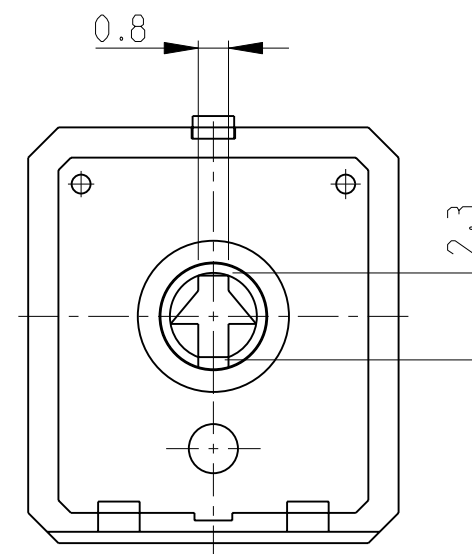
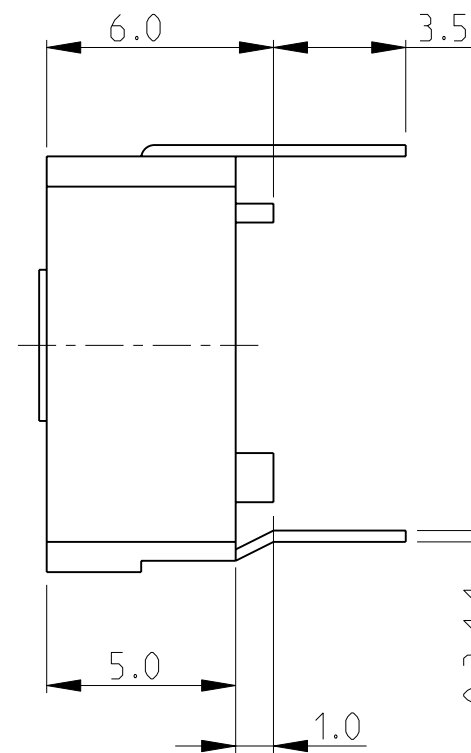
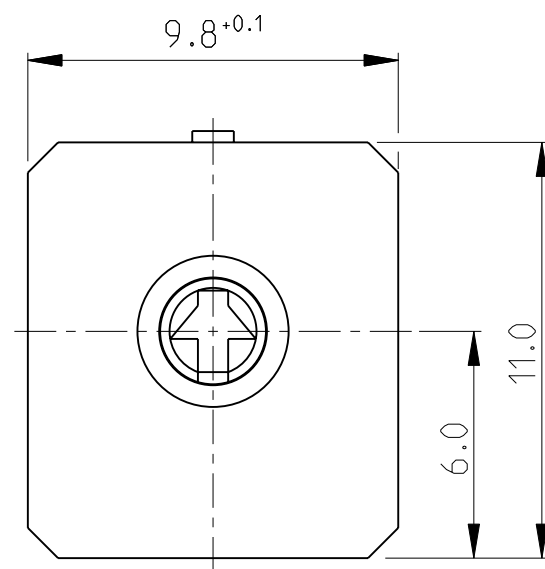
ALL RIGHTS RESERVED.

LOC	DIST
E	B

REVISIONS

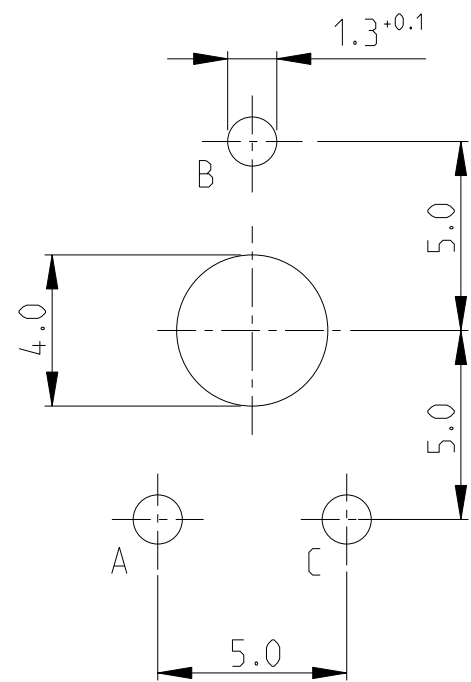
P	LTR	DESCRIPTION	DATE	DWN	APVD
	BA1	REVISED PER ECO-11-005150	28MAR2011	RK	HMR

CB10LV AS SHOWN

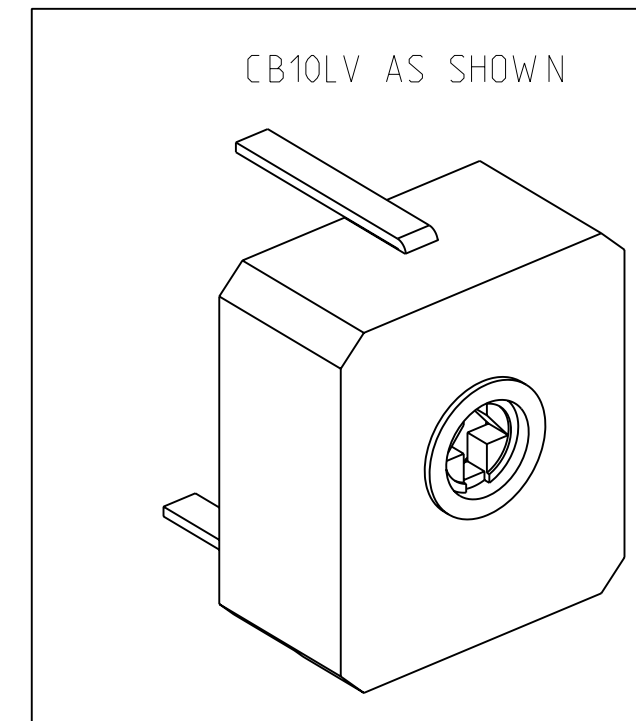


FOR FURTHER INFORMATION SEE DATA SHEET FOR CB10 SERIES-CARBON ECONOMY TRIMMERS

RECOMMENDED PCB PATTERN



RoHS Compliant



THIS DRAWING IS A CONTROLLED DOCUMENT.		DWN	SUBHASH.M	17-SEP-08
DIMENSIONS:		CHK	PRAKASH.S	17-SEP-08
mm		APVD	STEPHEN.P	17-SEP-08
TOLERANCES UNLESS OTHERWISE SPECIFIED:		NAME		
0 PLC	± 0.5	CARBON ECONOMY TRIMMERS		
1 PLC	± 0.2	SERIES CB10 LV		
2 PLC	± 0.1	SIZE	A3	CAGE CODE
3 PLC	± -	DRAWING NO	00779 C=1630480	
4 PLC	± -	RESTRICTED TO	-	
ANGLES	± 5°	SCALE	5:1	
MATERIAL	-	SHEET	1 OF 1	
FINISH	-	REV	BA1	



CARBON ECONOMY TRIMMERS SERIES CB10 LV

CUSTOMER DRAWING

SCALE 5:1

SHEET 1 OF 1

REV BA1